

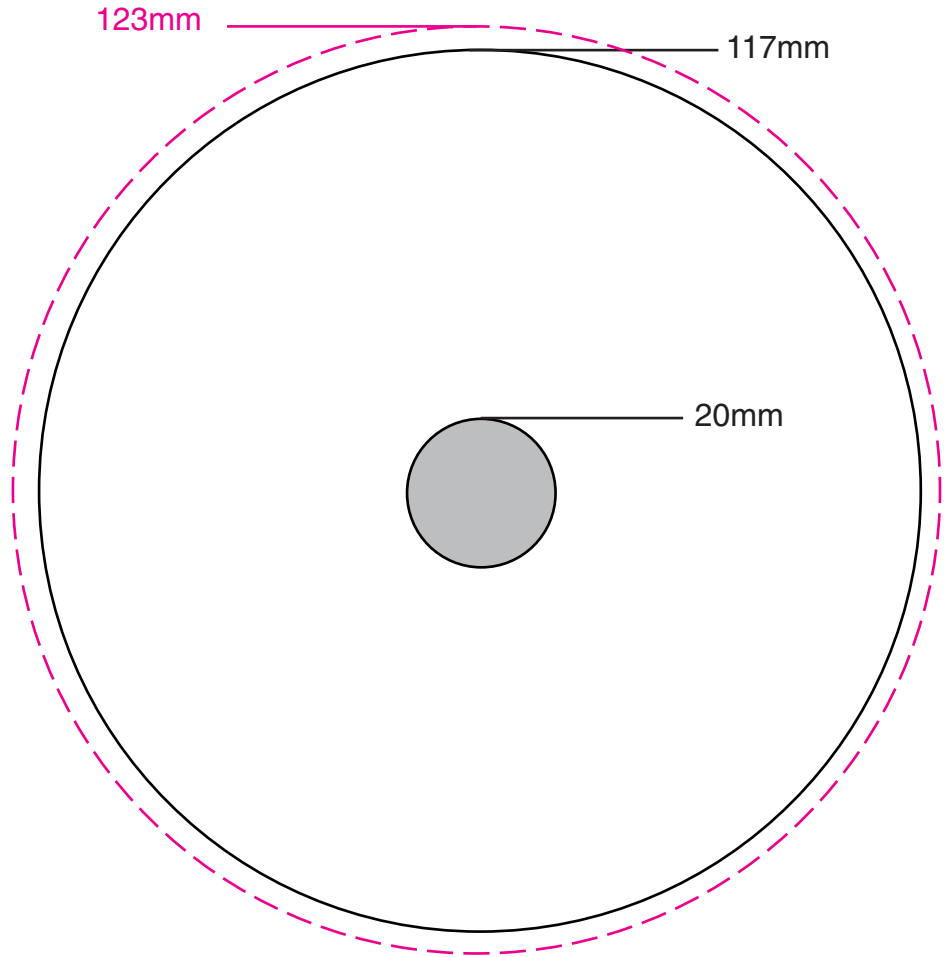
DVD-5 & DVD-9 Silk Screen Specifications

● Non-Printing Area
 Do Not Knock Out

Dotted lines indicate bleeds

Printable Area:
 117mm - 20mm

Dimensions:
 Outer Bleed **123mm**



DVD ART

- Please allow a 1/8" (.125) or 3mm bleed around the outside and inside print area of disc.
- All output files must be a minimum of 300 dpi.
- Minimum line width is .15pt.
- Minimum font size is 6pt.
- Minimum font size in knock out or reversed out form is 6pt bold.
- Minimum font size reversed out of halftone print without a white base is 7pt bold.
- Halftones should have a tonal range of 20% to 80%.
- Trapping should be performed at a minimum of .5pt.
- Include two hard copy color proofs with your art.
- Specify all colors needed.
- Use only Pantone Matching System (PMS) colors unless art is CMYK.
- If spot colors are being used (PMS) convert them from any prior CMYK or RGB colors.
- Make sure all Photoshop files are CMYK rather than RGB.
- If art work is being prepared in Photoshop and spot colors are desired, special attention may be needed. Please call. Colors may appear darker without a white flood coat (especially halftones).
- A white flood coat is recommended for all CMYK art.

ARTWORK SUBMISSION

E-mail artwork to your sales representative.
 Other methods CD/DVD, USB Flash

SOFTWARE SUPPORTED

PC & MAC: Adobe Illustrator CC, Adobe Photoshop CC,
 Adobe InDesign CC, Adobe Acrobat

PREFERRED FILE FORMATS

- All placed artwork should be in TIF or EPS format or from one of the software packages that we support. (See **SOFTWARE SUPPORTED**)
- Other formats may require additional charges. Provide each image in at least two file formats. Include all original files needed for output including all linked files & placed images. Include printed sample of artwork layout.

FONTS

- Keep the font size to four points or higher. All fonts must be included with your art files or convert all fonts into an outline graphic.

DISK-O-TAPE, INC.

23775 Mercantile Road Cleveland, OH 44122-5917
 216-765-TAPE (8273) 800-932-TAPE (8273) Fax: 216-765-0436

www.disk-o-tape.com

0100917