

## B234SR120M-A

### APPLICATION and PERFORMANCE SPECIFICATION

**Description:** High frequency electronic ballast for (2) F40T12ES, (2) F40T12, (2) F32T12, or (2) F40T10 lamps (and equivalent U-bend lamps)

- Line Voltage: 120vac , ±10%, 60Hz
- Series Lamp Operation
- Rapid Start
- Passive Power Factor Correction

Lamps		Input Watts	Nominal Line Amps	Power Factor	Ballast Factor	Ballast Efficacy Factor	Harmonic Total	Crest Factor
Type	#							
F40T12ES	2	59	0.49	> .90	0.86	1.46	< 30%	< 1.7
F40T12	2	71	0.63	> .90	0.90	1.27	< 30%	< 1.7
F32T12	2	56	0.48	> .98	0.90	1.61	< 25%	< 1.7
F40T10	2	75	0.65	> .95	0.91	1.21	< 30%	< 1.7

Application and Performance Specification Information Subject to Change without Notification.

#### Performance:

- Meets ANSI Standard C82.11-1993
- Meets ANSI Standard C62.41-1991
- Meets FCC Part 18 (Class B) for EMI and RFI Consumer Limits
- Meets CSA Standard 654 for Ballast Efficiency

#### Safety:

- No PCB's
- UL listed (Class P, Type 1 Outdoor, Type HL)
- CSA Certified

#### Application:

- Minimum Starting Temperature: 50° F, 10° C
- Energy Saving Lamps: 60° F, 16° C
- Maximum Case Temperature: 167° F, 75° C
- Sound Rated: A
- Remote Mounting: 20 ft. max. lead length, 18 AWG

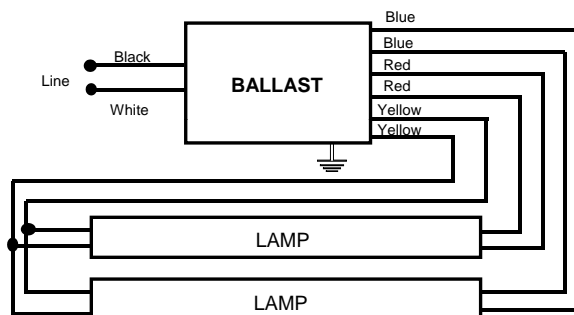
#### Physical Parameters

Length:	9.50"
Width:	1.70"
Height:	1.18"
Weight:	1.70 lbs.
Lead Length:	White, Black 22" (± 1")
	Red, Blue 26" (± 1")
	Yellow 45" (± 1")

#### Warranty:

Universal Lighting Technologies warrants to the purchaser that each electronic ballast will be free from defects in material or workmanship for a period of 3 years from date of manufacture when properly installed and under normal conditions of use. Call **1-800-BALLASTx800** for technical assistance.

#### Manufactured in China or North America



**Ballast must be grounded in accordance with national and local electrical codes.**