



# LED DockLight

PATENT # USD0587833



National Shipping Distribution Center



Illuminated 53' Trailer

- Sustainable lighting with powerful output
- Industrial luminaire with 15 watt power consumption
- Rated life of 50,000 hrs to 70% lumen maintenance
- Highly impact resistant; LED technology means no glass lamps to break or replace
- Several cord configurations; 100-240, 277 VAC
- Attaches directly to standard dock light arms for easy retrofit
- Purchase the compatible arm in 24", 42" or 60" lengths
- LTL tested in accordance with LM-79 standards for electrical and photometric measurements of LED fixtures
- Cree™ LEDs tested in accordance with LM-80 standards for measuring lumen maintenance of SSL sources
- UL listed for wet locations
- Standard 5 year warranty

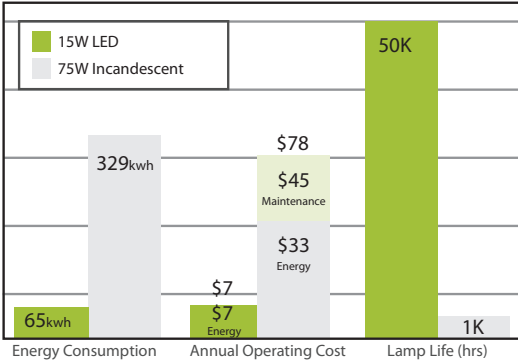


Energy Focus' products comply with the Buy America Act and are manufactured in the North American Free Trade Zone.

**SPECIFICATIONS**

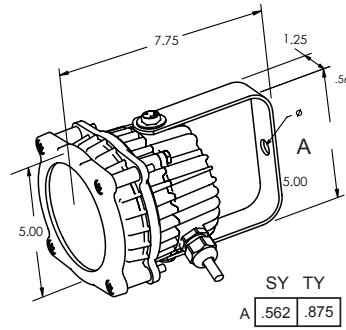
**COMPARISON**

Annual Hours = 4160hrs Energy Cost = 10c/kwh Cost to change lightbulb = \$5.00 each



**DESIGN**

Protected by Patent # USD0587833



**LED DockLight  
Compatible Arms**



- Strong, non-corrosive single strut steel arm with on/off switch and female receptacle
- Available in 24", 42" and 60" lengths
- 42" and 60" have an articulated arm
- Wear resistant 3 conductor AC cord fits directly into standard outlet

**LIGHT OUTPUT**

The powerful LED Docklight has been designed to deliver light all the way back into a 53' trailer!

	10'	20'	30'	40'	45'	48'	53'
LED DockLight 12° CBCP 18,734	187	47	21	12	9	8	7
Quartz Halogen	28	14	8	5			
Incandescent	15	5	3	2			

Beam Angle: FWHM (Full Width Half Max)  
Light Output in FC

**LED DockLight**

**Ordering Guide**

Model	Color Temp	Beam Spread	Size	Electrical Connection	Mount/Finish
LEDDL	765 75 CRI, 6500K	SFL 12° Center/ 32° Outer	15 Small Fixture 15Watt	<b>PNS</b> 10' cord, std. male plug (Nema 5-15) wet rated <b>PIS</b> 10' cord, hooded male plug (IEC 60320-C14 plug) wet rated <b>SNS</b> Switched 10' cord, std. male plug (Nema 5-15) damp rated <b>SIA</b> Switched 16" cord, hooded male plug (IEC 60320-C14) damp rated <b>HWS</b> 10' cord, hardwire leads wet rated	<b>SY</b> Standard Arm Mount; Yellow

Arm*	Model	Type	Arm
	LEDDL	ARM*	<b>24</b> Arm length 24" <b>42</b> Arm length 42", Articulated <b>60</b> Arm length 60", Articulated

\* Arm needs to be ordered with PIS or SIA electrical connection

# LEDDL-765NFL-15

**LED lighting facts**  
A Program of the U.S. DOE

**Light Output (Lumens)** 689  
**Watts** 13.1  
**Lumens per Watt (Efficacy)** 52

**Color Accuracy**  
Color Rendering Index (CRI) 74

**Light Color**  
Correlated Color Temperature (CCT) 6230 (Daylight)

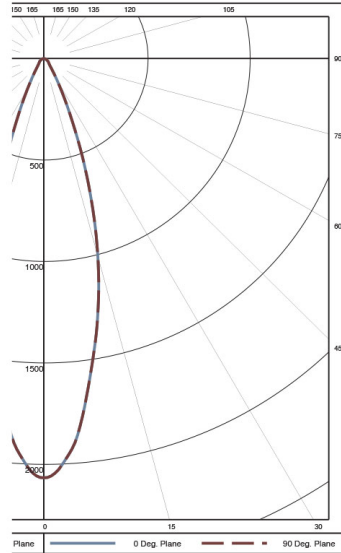
Warm White 2700K | Bright White 3000K | Daylight 4500K | 6500K

**Warranty\*\*** Yes

All results, except LED Lumen Maintenance, are according to IESNA LM-79-2008. Approved Method for the Electrical and Photometric Testing of Solid-State Lighting. The U.S. Department of Energy (DOE) verifies product test data and results.

\*\* See [www.lightingfacts.com/products](http://www.lightingfacts.com/products) for details.

Registration Number: BMBV-SBAAPP (8/8/2012)  
Model Number: LEDDL-765NFL-15xxx-xx  
Type: Track light



Zonal Lumen Summary		
Zone	Lumens	% of Luminaires
0-30	568.4	82.5%
0-40	616.5	89.5%
0-60	666	96.7%
0-90	688.7	100.0%
90-180	0	0.0%
0-180	688.7	100.0%

## Comparison Chart

### LEDDL-765NSP-15

### LEDDL-765NFL-15

### LEDDL-765SFL-15

H (ft)	Diameter (ft)	FC
10'	2.1'	100.0
20'	4.2'	25.0
30'	6.3'	11.1
40'	8.4'	6.3
53'	11.1'	3.6

H (ft)	Diameter (ft)	FC
10'	5.7'	20.7
20'	11.5'	5.2
30'	17.2'	2.3
40'	22.9'	1.3
53'	30.4'	0.7

H (ft)	Diameter (ft)	FC
10'	5.7'	53.2
20'	11.5'	13.3
30'	17.2'	5.9
40'	22.9'	3.3
53'	30.4'	1.9