



LED DockLight

PATENT # USD0587833



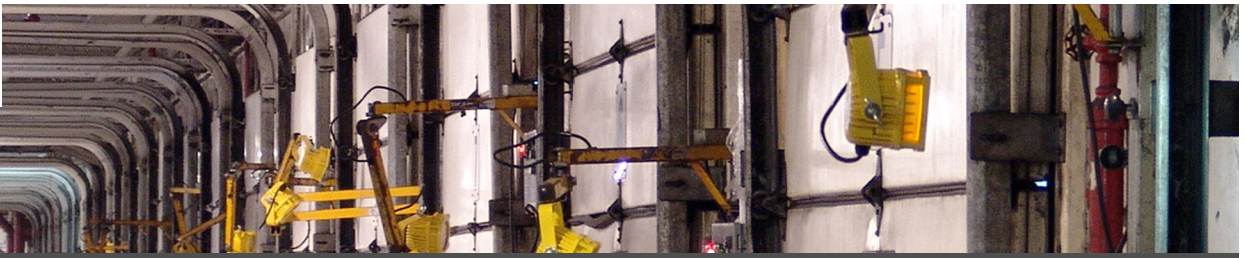
National Shipping Distribution Center



Illuminated 53' Trailer

- Sustainable lighting with powerful output
- Industrial luminaire with 15 watt power consumption
- Rated life of 50,000 hrs to 70% lumen maintenance
- Highly impact resistant; LED technology means no glass lamps to break or replace
- Several cord configurations; 100-240, 277 VAC
- Attaches directly to standard dock light arms for easy retrofit
- Purchase the compatible arm in 24", 42" or 60" lengths
- LTL tested in accordance with LM-79 standards for electrical and photometric measurements of LED fixtures
- Cree™ LEDs tested in accordance with LM-80 standards for measuring lumen maintenance of SSL sources
- UL listed for wet locations
- Standard 5 year warranty



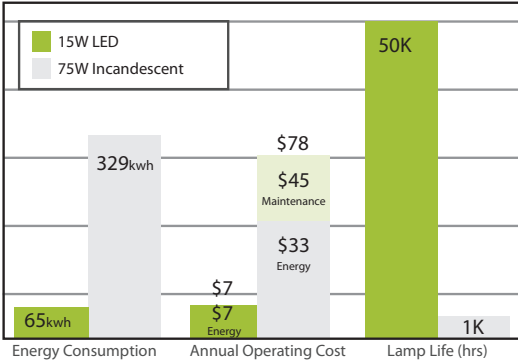


Energy Focus' products comply with the Buy America Act and are manufactured in the North American Free Trade Zone.

SPECIFICATIONS

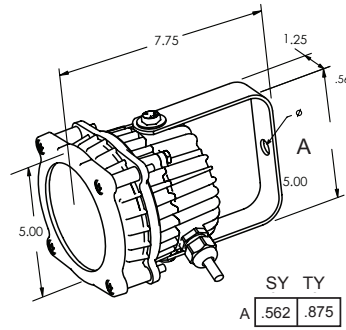
COMPARISON

Annual Hours = 4160hrs Energy Cost = 10c/kwh Cost to change lightbulb = \$5.00 each



DESIGN

Protected by Patent # USD0587833



**LED DockLight
Compatible Arms**



- Strong, non-corrosive single strut steel arm with on/off switch and female receptacle
- Available in 24", 42" and 60" lengths
- 42" and 60" have an articulated arm
- Wear resistant 3 conductor AC cord fits directly into standard outlet

LIGHT OUTPUT

The powerful LED Docklight has been designed to deliver light all the way back into a 53' trailer!

	10'	20'	30'	40'	45'	48'	53'
LED DockLight 12° CBCP 18,734	187	47	21	12	9	8	7
Quartz Halogen	28	14	8	5			
Incandescent	15	5	3	2			

Beam Angle: FWHM (Full Width Half Max)
Light Output in FC

LED DockLight

Ordering Guide

Model	Color Temp	Beam Spread	Size	Electrical Connection	Mount/Finish
LEDDL	765 75 CRI, 6500K	SFL 12° Center/ 32° Outer	15 Small Fixture 15Watt	PNS 10' cord, std. male plug (Nema 5-15) wet rated PIS 10' cord, hooded male plug (IEC 60320-C14 plug) wet rated SNS Switched 10' cord, std. male plug (Nema 5-15) damp rated SIA Switched 16" cord, hooded male plug (IEC 60320-C14) damp rated HWS 10' cord, hardwire leads wet rated	SY Standard Arm Mount; Yellow

Arm*	Model	Type	Arm
	LEDDL	ARM*	24 Arm length 24" 42 Arm length 42", Articulated 60 Arm length 60", Articulated

* Arm needs to be ordered with PIS or SIA electrical connection

LEDDL-765NSP-15

LED lighting facts
A Program of the U.S. DOE

Light Output (Lumens) **774**
Watts **13.42**
Lumens per Watt (Efficacy) **57**

Color Accuracy
Color Rendering Index (CRI) **71**

Light Color
Correlated Color Temperature (CCT) **6177 (Daylight)**

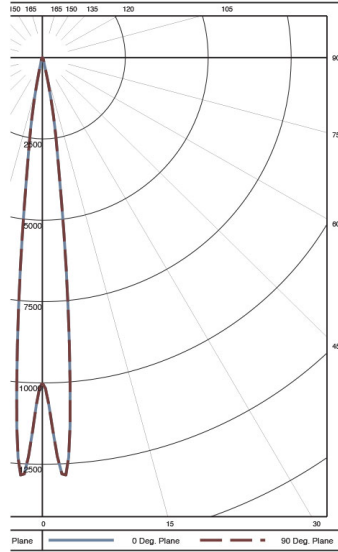
Warm White 2700K | Bright White 3000K | Daylight 4500K | 6500K

Warranty** **Yes**

All results, except LED Lumen Maintenance, are according to IESNA LM-79-2008: Approved Method for the Electrical and Photometric Testing of Solid-State Lighting. The U.S. Department of Energy (DOE) verifies product test data and results.

** See www.lightingfacts.com/products for details.

Registration Number: BMBV-Z57234 (8/8/2012)
Model Number: LEDDL-765NSP-15xxx-xx
Type: Track light



Zone	Lumens	% of Luminaires
0-30	709.7	91.7%
0-40	728.1	94.1%
0-60	763.4	89.6%
0-90	774.1	100.0%
90-180	0	0.0%
0-180	774.1	100.0%

Comparison Chart

LEDDL-765NSP-15

LEDDL-765NFL-15

LEDDL-765SFL-15

H (ft)	Diameter (ft)	FC
10'	2.1'	100.0
20'	4.2'	25.0
30'	6.3'	11.1
40'	8.4'	6.3
53'	11.1'	3.6

H (ft)	Diameter (ft)	FC
10'	5.7'	20.7
20'	11.5'	5.2
30'	17.2'	2.3
40'	22.9'	1.3
53'	30.4'	0.7

H (ft)	Diameter (ft)	FC
10'	5.7'	53.2
20'	11.5'	13.3
30'	17.2'	5.9
40'	22.9'	3.3
53'	30.4'	1.9