



LED DockLight

PATENT # USD0587833



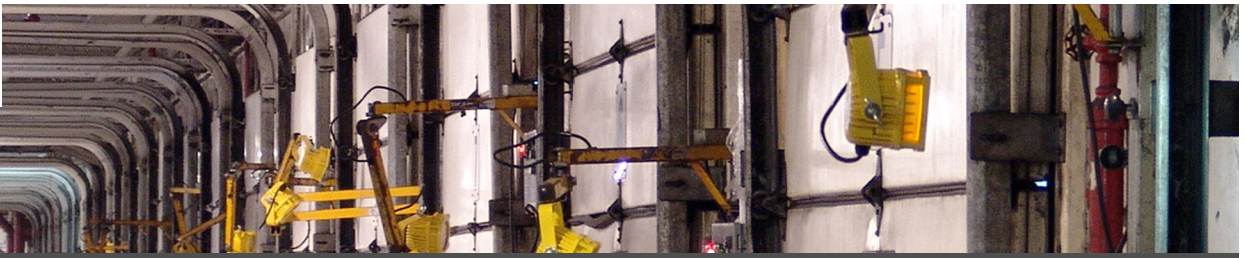
National Shipping Distribution Center



Illuminated 53' Trailer

- Sustainable lighting with powerful output
- Industrial luminaire with 15 watt power consumption
- Rated life of 50,000 hrs to 70% lumen maintenance
- Highly impact resistant; LED technology means no glass lamps to break or replace
- Several cord configurations; 100-240, 277 VAC
- Attaches directly to standard dock light arms for easy retrofit
- Purchase the compatible arm in 24", 42" or 60" lengths
- LTL tested in accordance with LM-79 standards for electrical and photometric measurements of LED fixtures
- Cree™ LEDs tested in accordance with LM-80 standards for measuring lumen maintenance of SSL sources
- UL listed for wet locations
- Standard 5 year warranty



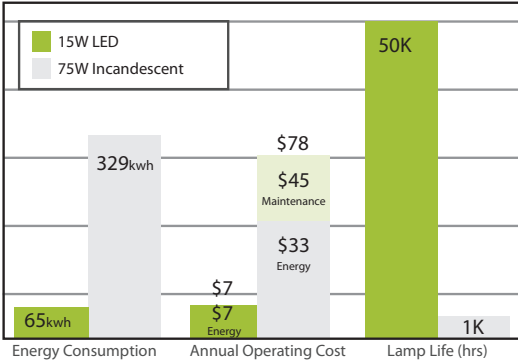


Energy Focus' products comply with the Buy America Act and are manufactured in the North American Free Trade Zone.

SPECIFICATIONS

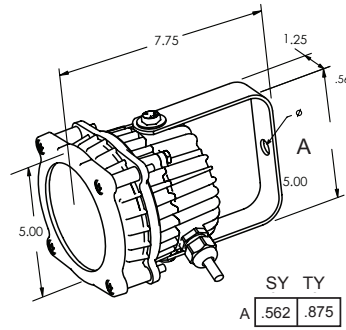
COMPARISON

Annual Hours = 4160hrs Energy Cost = 10c/kwh Cost to change lightbulb = \$5.00 each



DESIGN

Protected by Patent # USD0587833



**LED DockLight
Compatible Arms**



- Strong, non-corrosive single strut steel arm with on/off switch and female receptacle
- Available in 24", 42" and 60" lengths
- 42" and 60" have an articulated arm
- Wear resistant 3 conductor AC cord fits directly into standard outlet

LIGHT OUTPUT

The powerful LED Docklight has been designed to deliver light all the way back into a 53' trailer!

	10'	20'	30'	40'	45'	48'	53'
LED DockLight 12° CBCP 18,734	187	47	21	12	9	8	7
Quartz Halogen	28	14	8	5			
Incandescent	15	5	3	2			

Beam Angle: FWHM (Full Width Half Max)
Light Output in FC

LED DockLight

Ordering Guide

Model	Color Temp	Beam Spread	Size	Electrical Connection	Mount/Finish
LEDDL	765 75 CRI, 6500K	SFL 12° Center/ 32° Outer	15 Small Fixture 15Watt	PNS 10' cord, std. male plug (Nema 5-15) wet rated PIS 10' cord, hooded male plug (IEC 60320-C14 plug) wet rated SNS Switched 10' cord, std. male plug (Nema 5-15) damp rated SIA Switched 16" cord, hooded male plug (IEC 60320-C14) damp rated HWS 10' cord, hardwire leads wet rated	SY Standard Arm Mount; Yellow

Arm*	Model	Type	Arm
	LEDDL	ARM*	24 Arm length 24" 42 Arm length 42", Articulated 60 Arm length 60", Articulated

* Arm needs to be ordered with PIS or SIA electrical connection