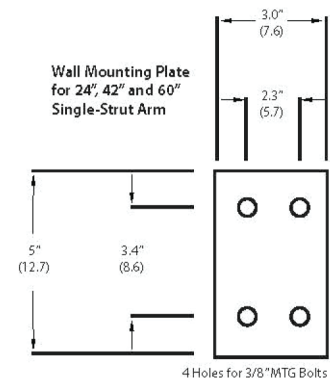


LED Docklight Arm Series

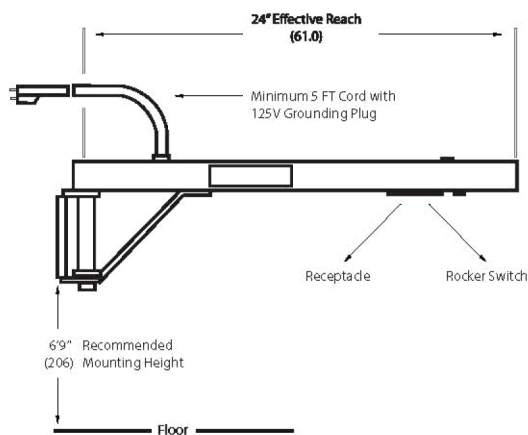
Product Specifications

| | |
|------------------|---|
| Arm | 1.5" square steel tube arms with wrist-action zinc plated steel joint on 42" and 60" single-strut arms. Washers at all joints and bushings at bracket joints for smooth operations, greater stability and longer wear |
| Finish | Safety yellow for maximum visibility; thermoset powder coat paint |
| Mounting Bracket | 3/16" thick 3" X 5" zinc plated-steel mounting bracket |
| Cords | Wear-resistant 3-conductor AC cord from arm, fits directly into standard outlet. Hooded male plug on light head cord plugs into female receptacle in arm |
| Switch | On-Off rocker switch and IEC type receptacle |

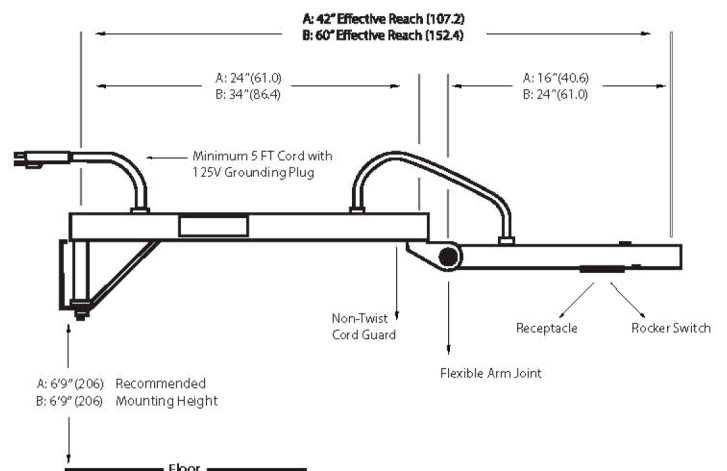
Mounting



24" Arm



42" Arm/ 60" Arm



LED DOCKLIGHT ARM ORDERING GUIDE

| MODEL | TYPE | ARM |
|-------|------|--------------------------------|
| LEDDL | ARM* | 24 Arm length 24" |
| | | 42 Arm length 42", Articulated |
| | | 60 Arm length 60", Articulated |

* Arm needs to be ordered with PIS or SIA electrical connection.